

30
YEARS

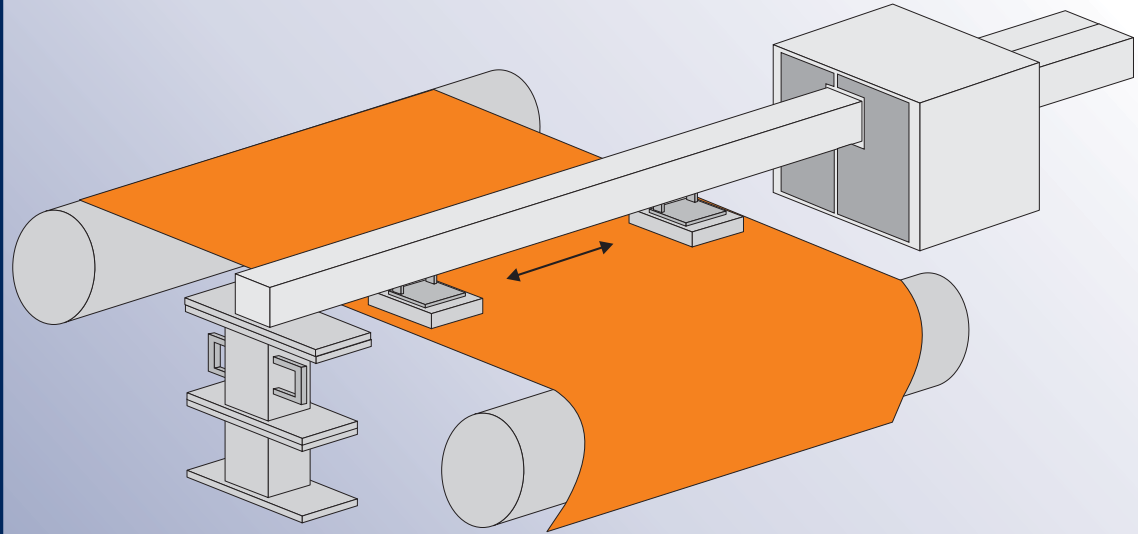
ROBO PAPER FORMING FABRIC CLEANING DEVICES

FULL PM-WIDTH TRAVERSING
FORMING FABRIC CLEANING DEVICE
UTILIZING
HIGH PRESSURE WATER & COMPRESSED AIR

ROBO PAPER

E-mail: info@robopaper.nl
Internet: www.robopaper.com

FF CLEANER



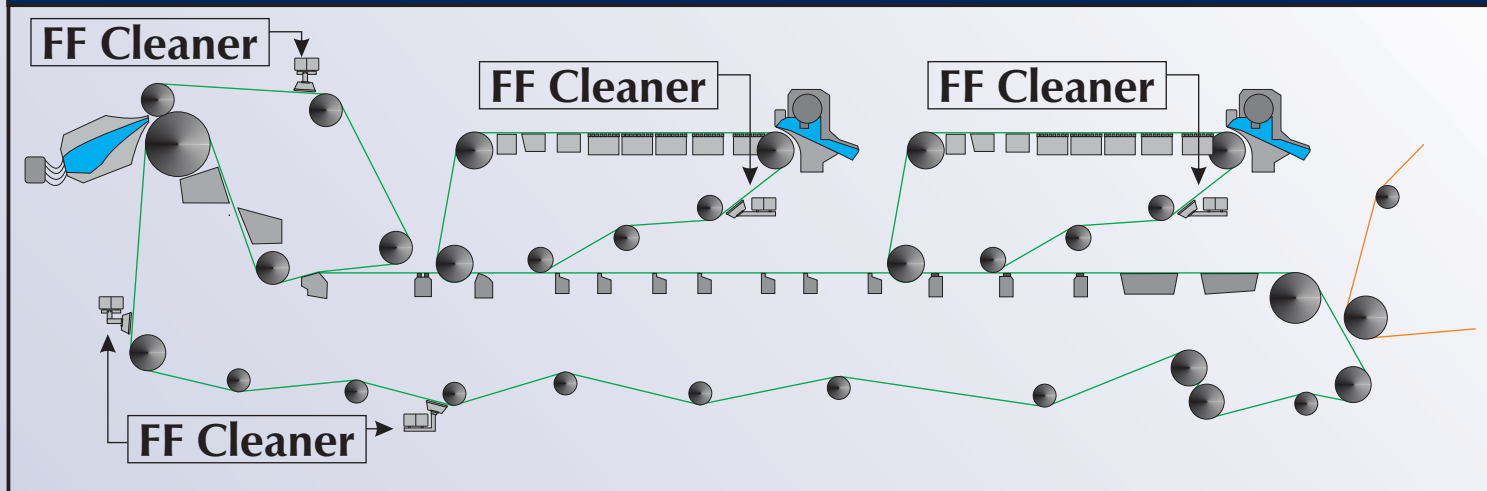
ROBO PAPER - EUROPE
TEL: (+).31.43.364.3006
FAX: (+).31.43.364.8840
E-MAIL: info@robopaper.nl
ADDRESS:
PO BOX 123
6230 AC MEERSSEN
THE NETHERLANDS

ROBO PAPER - GERMANY
TEL. (+)49.2421 966619
FAX. (+)49.2421 966610
E-MAIL: info@robopaper.nl

FF CLEANER

THE OPTIMUM CLEANER FOR FORMING FABRIC

APPLICATIONS



For all types of fabrics the custom-made solution

1,5 LAYER

DUOPLY

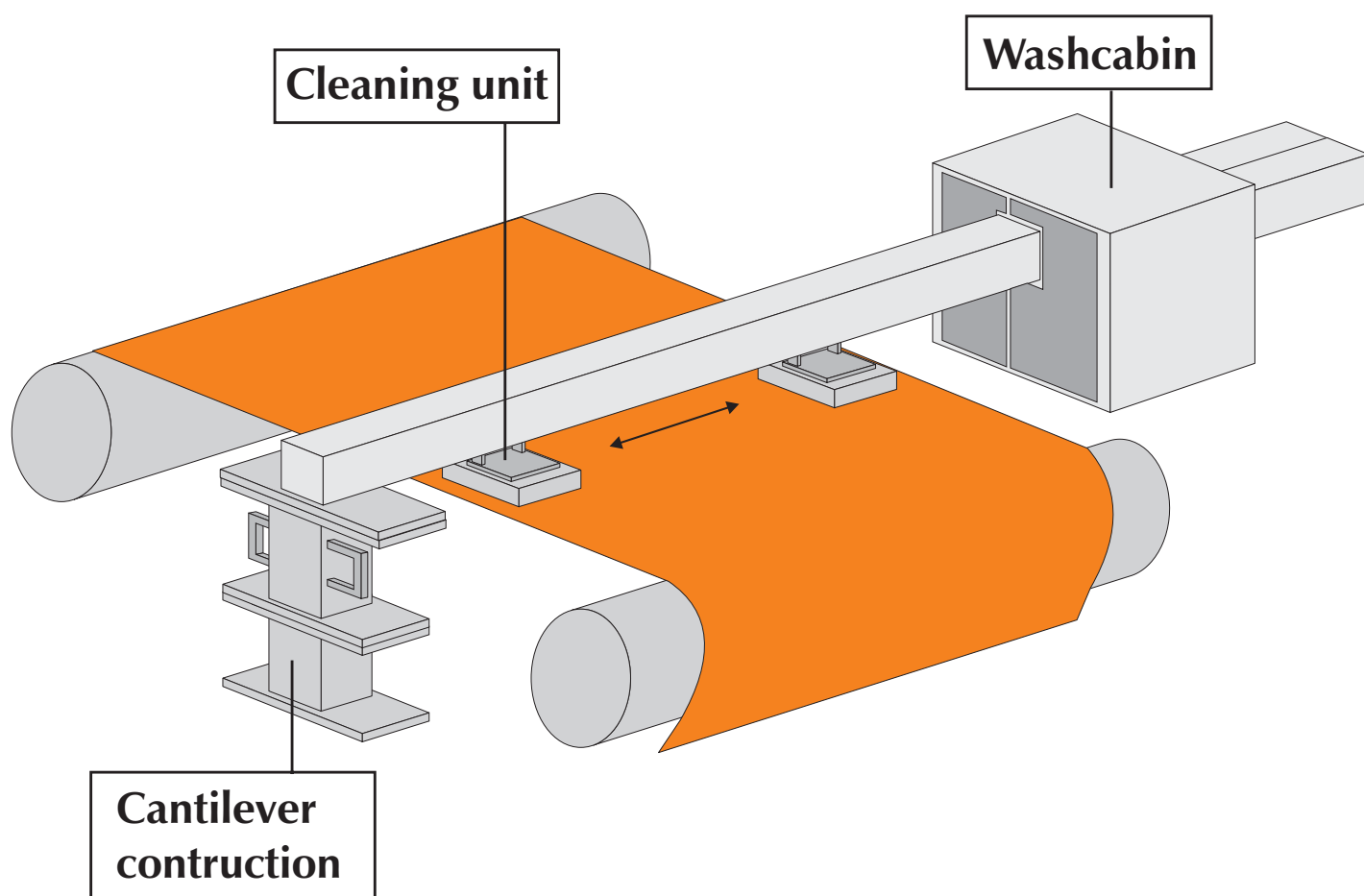
2,5 LAYER

3 LAYER

3 WEST LAYER



CLEANING DEVICES

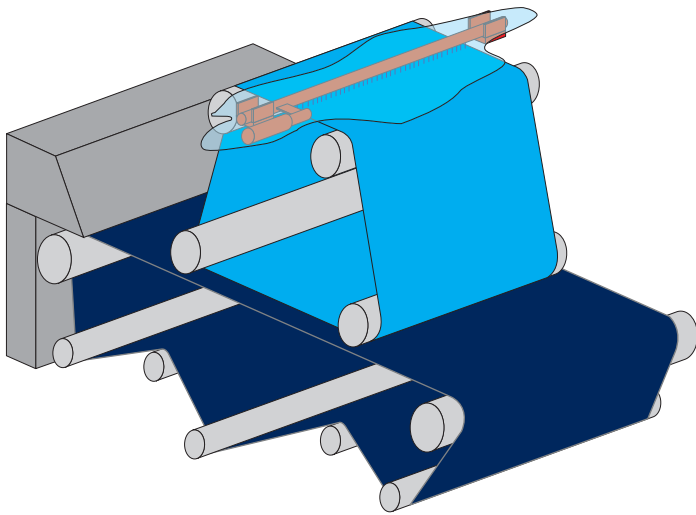


CONTINUOUS FORMING FABRIC CLEANING DURING PRODUCTION WITH FF CLEANER

Time to Change



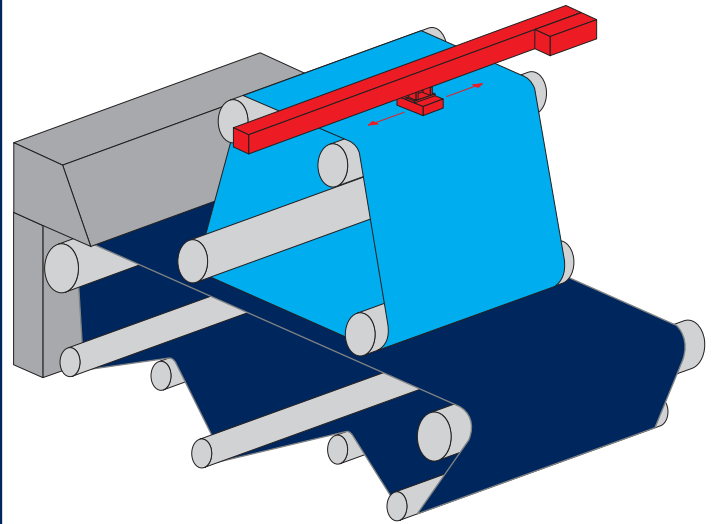
Existing conventional oscillating showers



DISADVANTAGES

- Very high waterconsumption.
Example:
Fabric width 5 mtr, 50 pcs. nozzles with orifice 1,0 mm, waterpressure 30 bar:
waterconsumption: $50 \times 2,7 = 135 \text{ ltr/min.}$
- A lot of mist.
- Unequal cleaning by overlapping.
- Different water needlejet quality.
- No nozzle check or exchange during production.

Robo F(orming) F(abric) Cleaner



ADVANTAGES

- Enormous decreasing of waterconsumption.
Example:
10 pcs. nozzles with orifice 0,3 mm, waterpressure 80 bar:
waterconsumption: $10 \times 0,57 = 5,7 \text{ ltr/min.}$
- Absolutely 100% guarantee mistfree.
- Equal cleaning over the total width.
- No suctionbox needed any more in topformer.
- Increasing lifetime forming fabric.
- Nozzle check and exchanging during production.

DELIVERY CONSISTS

