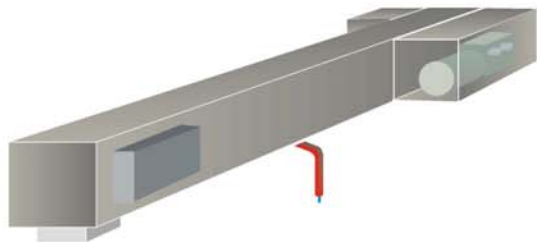


SYSTEM - LAYOUT

TAIL CUTTERS WET SECTION



1 Junction box / beam



2 Main control box provided with display



3 Main control box provided with buttons without touchscreen



4 Remote control box number on request

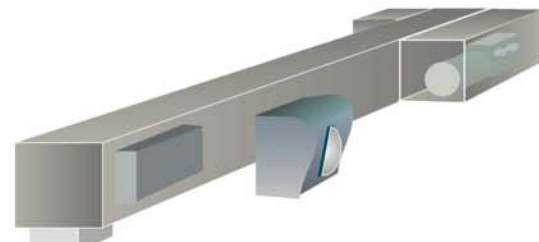


5 Controller case for MCC, provided with
- PLC
- Frequency converter
- Fuses
- Relays



6 HP waterpump provided with:
- junction box
- controller box
- water supply
- compressed air supply

TAIL CUTTERS DRY SECTION



1 Junction box / beam



2 Main control box provided with
- push buttons / tail
- emergency stop
- reset
- test cutting



3 Remote control box number on request



4 Electric/pneumatic box designed for:
- koanda airpipe
- pneumatic cylinders



5 Controller case for MCC, provided with
- PLC
- Frequency converter
- Fuses
- Relays



6 HP waterpump provided with:
- junction box
- controller box
- water supply
- compressed air supply

ROBO PAPER



ROBO PAPER BV
Tel: (+).31.43.364.3006
Fax: (+).31.43.364.8840
Email: info@robopaper.nl

ROBO PAPER - GERMANY
Tel: (+)49.2421.966619
Fax: (+)49.2421.966610
Email: info@robopaper.nl

ROBO PAPER - USA
Tel: (+).1.501.760.2435
Fax: (+).1.501.767.7677
Email: robopaperusa@cs.com

ROBO PAPER - AUSTRALIA
Tel: (+).61.3.9776.6989
Fax: (+).61.3.9776.6965
Email: mill_link@bigpond.com

ROBO PAPER - BRASIL
Tel: (+).55.14.423.7700
Fax: (+).55.14.423.4258
Email: brunsch@brunschweiler.com.br

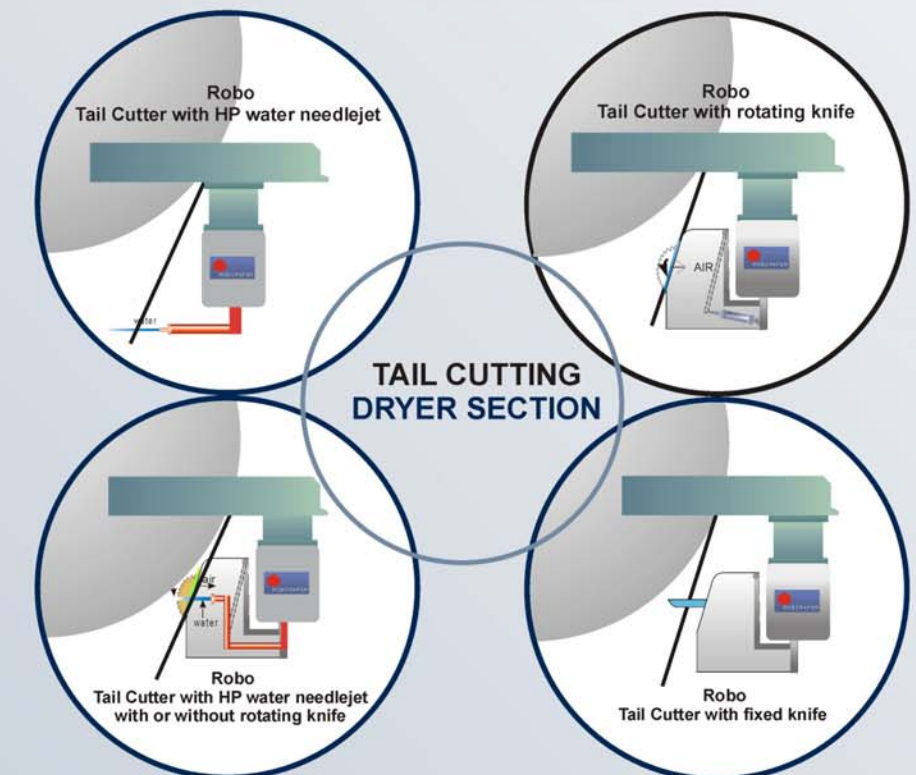
ROBO PAPER - CHILE
Tel: (+).56.41.372.849
Fax: (+).56.41.372.849
Email: carinancoc@entelchile.net

Internet: www.robopaper.nl

ROBO TAIL CUTTING DEVICES

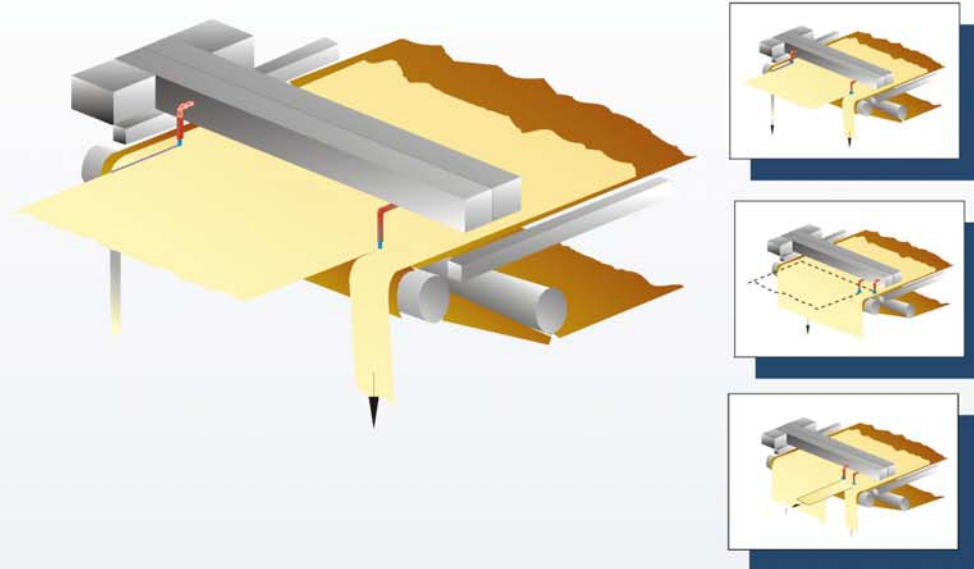


30 YEARS

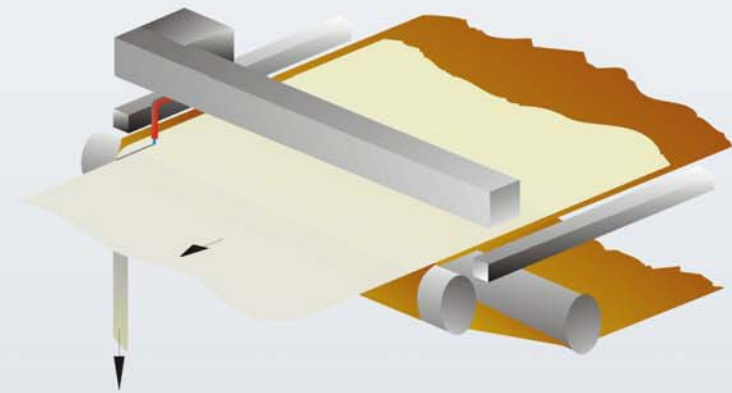


ROBO TAIL CUTTERS WET - SECTION

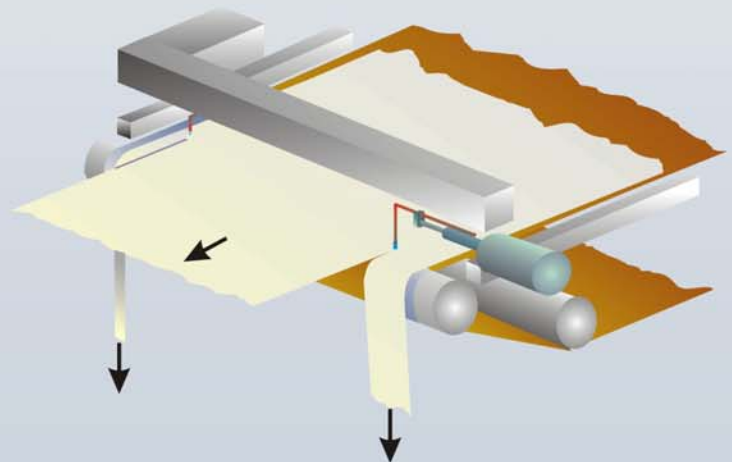
ROBO TAIL & DECKLE CUTTER



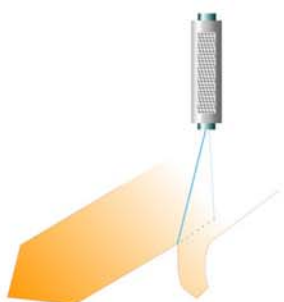
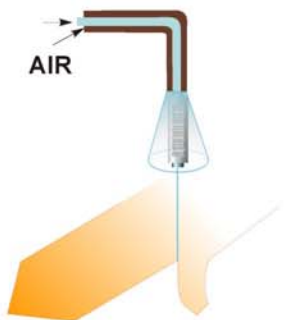
ROBO TAIL CUTTER



ROBO TAIL CUTTER & TRIM SQUIRT

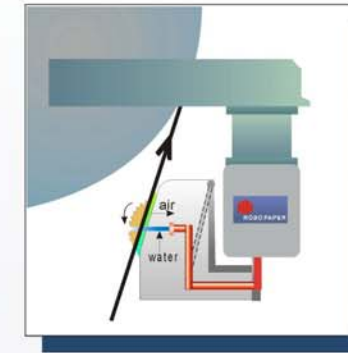


NOZZLE DESIGNS



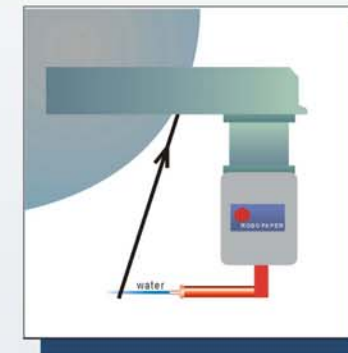
ROBO TAIL CUTTERS DRYER - SECTION

Provided with: HP water needlejet with or without Rotating knife



Application : grammages up to : 500 gr/m2
: speed : 2000 m/min
: PM width up to : 10900 mm

Provided with: HP water needlejet



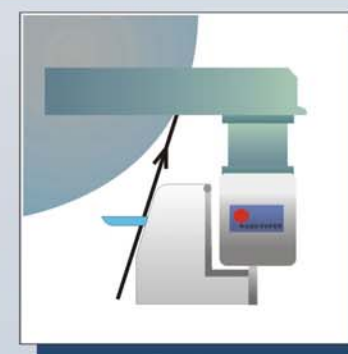
Application : grammages up to : 500 gr/m2
: speed : 2000 m/min
: PM width up to : 10900 mm

Provided with: rotating knife



Application : grammages up to : 2000 gr/m2
: speed : 2000 m/min
: PM width up to : 10900 mm

Provided with: fixed knife



Application : grammages up to : 2000 gr/m2
: speed : 300 m/min
: PM width up to : 3000 mm