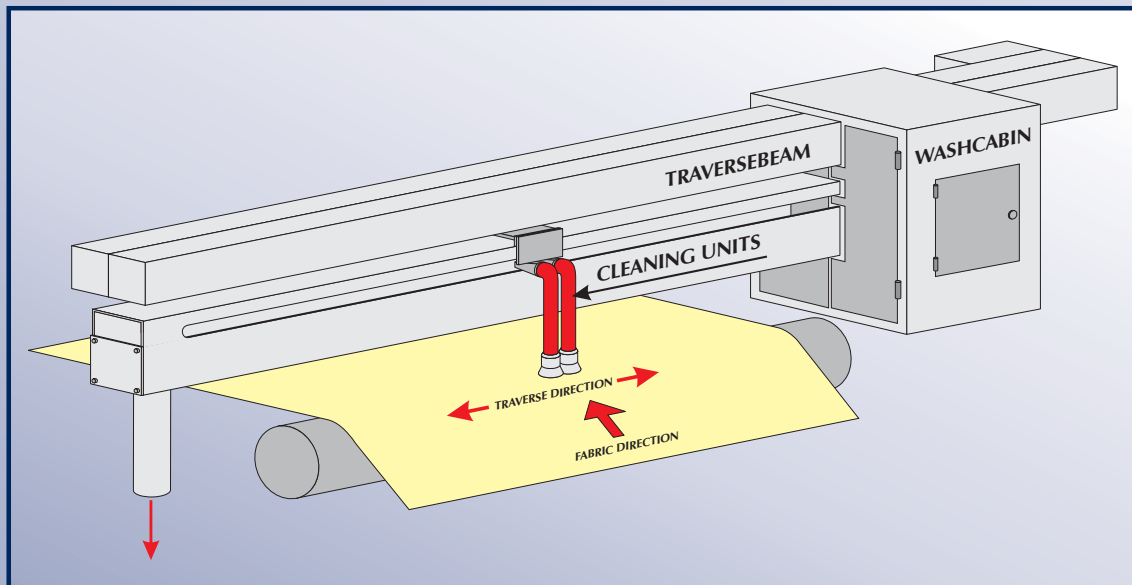
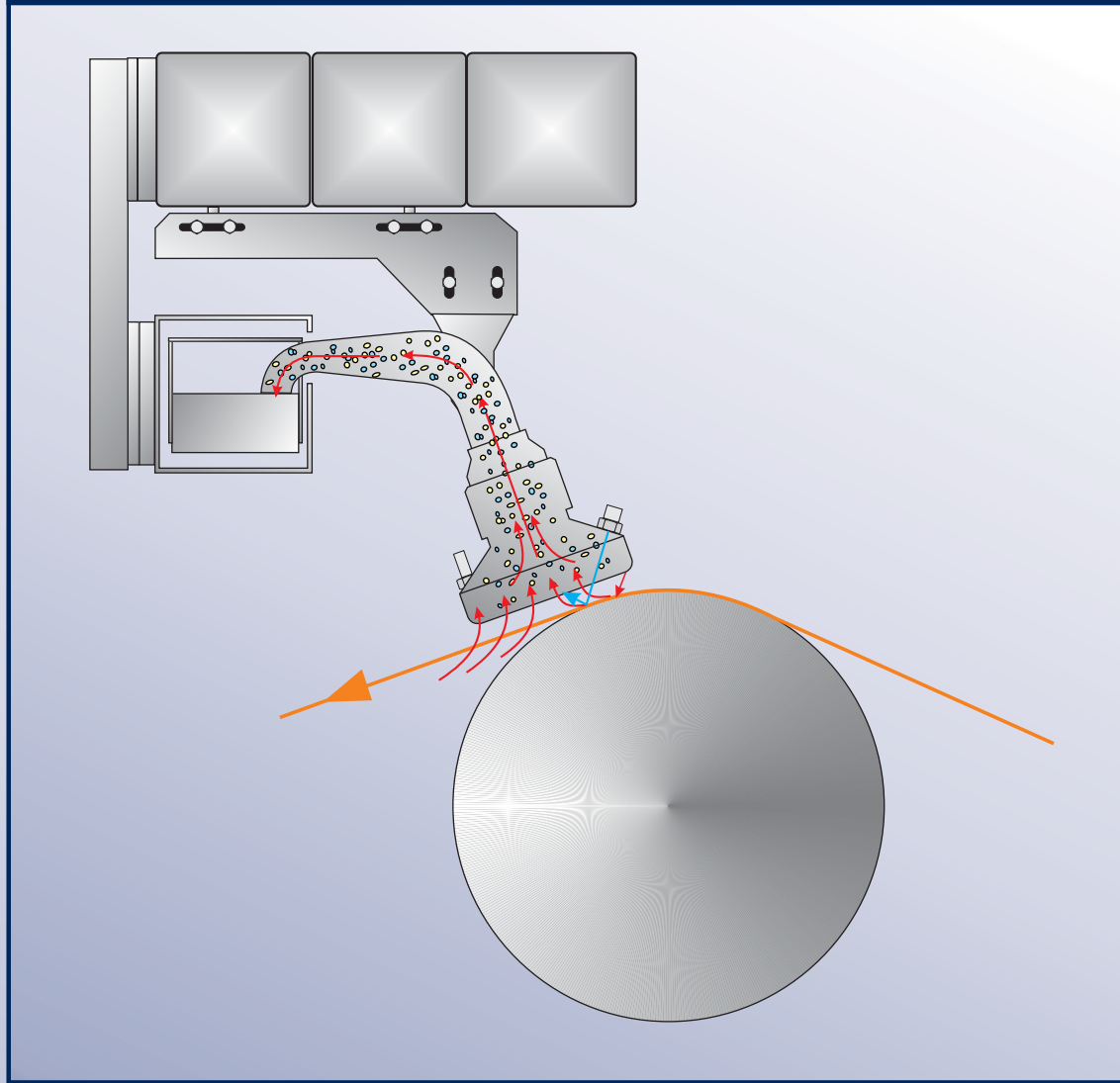


**30**  
**YEARS**

# ROBO PAPER DRYER FABRIC CLEANING DEVICES

FULL PM-WIDTH TRAVERSING DRYER FABRIC CLEANING DEVICE  
DURING PRODUCTION AND/OR SHUT-DOWN UTILIZING  
HIGH PRESSURE WATER & COMPRESSED AIR

## - SUPER CLEANER -



**ROBO PAPER**

E-mail: [info@robopaper.nl](mailto:info@robopaper.nl)  
Internet: [www.robopaper.com](http://www.robopaper.com)



**ROBO PAPER - EUROPE**

TEL: (+).31.43.364.3006  
FAX: (+).31.43.364.8840  
E-MAIL: [info@robopaper.nl](mailto:info@robopaper.nl)  
ADDRESS:  
PO BOX 123  
6230 AC MEERSSEN  
THE NETHERLANDS

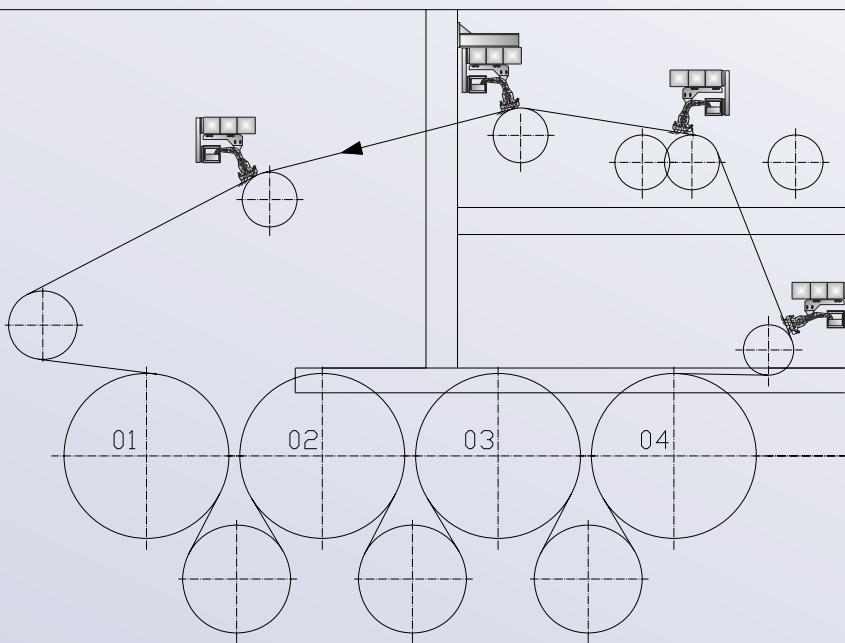
**ROBO PAPER - GERMANY**

TEL: (+)49.2421.966619  
FAX: (+)49.2421.966610  
E-MAIL: [info@robopaper.nl](mailto:info@robopaper.nl)

# SUPER CLEANER

## THE OPTIMUM CLEANER FOR DRYER FABRIC

### POSSIBLE LOCATIONS



Modifications or position alternations regarding fabric rolls in the dryer group, are not necessary, because the Super - Cleaner can be installed on every position.

### TECHNOLOGICAL GUARANTEES

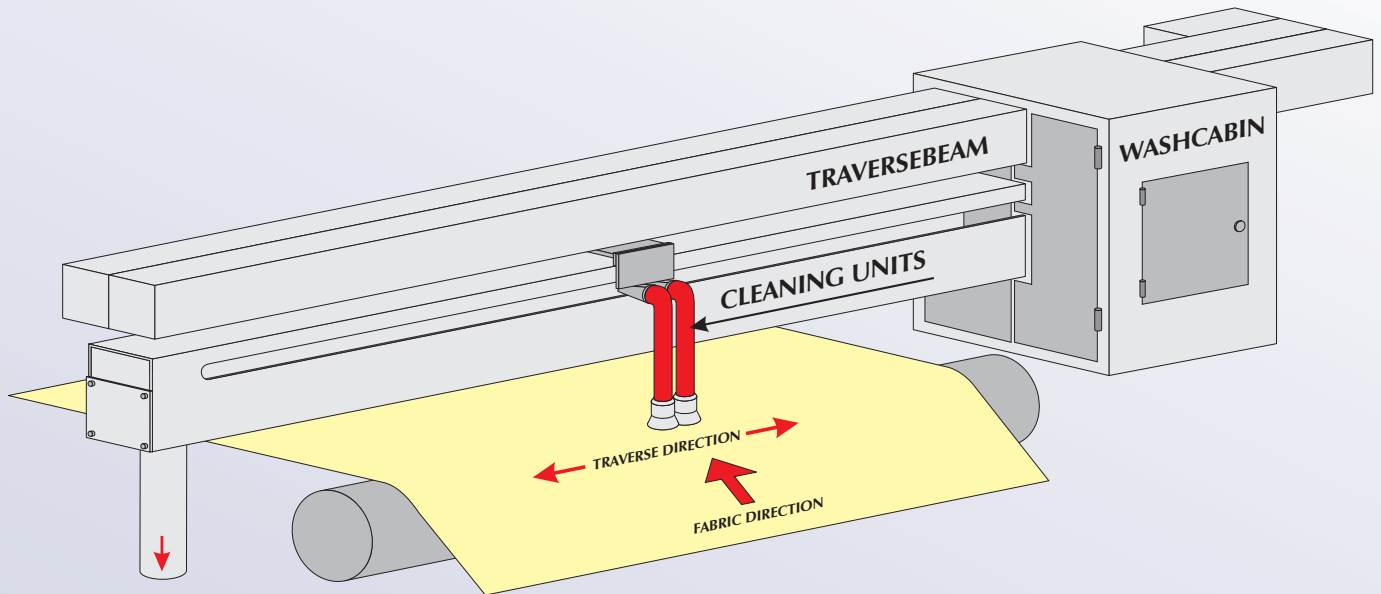
1. At least 90% CFM value compared to a new dryer fabric, is guaranteed during the total lifetime.
2. No wet stripes in the papersheet, guaranteed by added airjets penetrating the fabric.
3. No damaging of the dryer fabric.

### TECHNICAL GUARANTEES

1. Continuous fabric cleaning by traversing cleaning units, provided with fixed highpressure waterneedlejet nozzles and suction power achieved by venturi/air.
2. Traversing cleaning units are maintenance-free, without any fixed or rotating components inside the suction pipe, which guarantees equal maximum vacuum during operation and no collecting of contaminants inside the suctionpipe.
3. Vacuum in the suction pipe is achieved by compressed air, no exhauster, no hoses, no powertrack, which means no collecting from contaminants inside the hoses, no wear regarding hoses, powertrack and exhauster.
4. No hoses and no exhauster, means no water injection needed to clean inside of the hose and pipe (no added waterpump, no separator)
5. Traversing beam is maintenance-free.
6. Cleaningunit including vacuumpipe will be cleaned inside and outside by waternozzles in the washcabin outside the dryer fabric and outside the dryer hood. Each interval and duration of the cleaning can be selected by PLC. This cleaning performance guarantees an equal continuous optimum vacuum.
7. If properly operated and maintained the Super Cleaner has an availability up to 99,8%.

# CONTINUOUS DRYER FABRIC CLEANING DURING PRODUCTION AND/OR SHUT DOWN WITH SUPER CLEANER

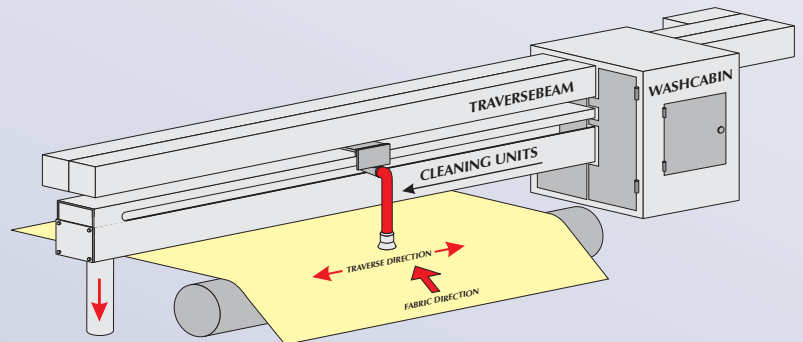
## CUSTOMER DESIGN



## FOR EACH CUSTOMER THE CUSTOMER-MADE SOLUTION

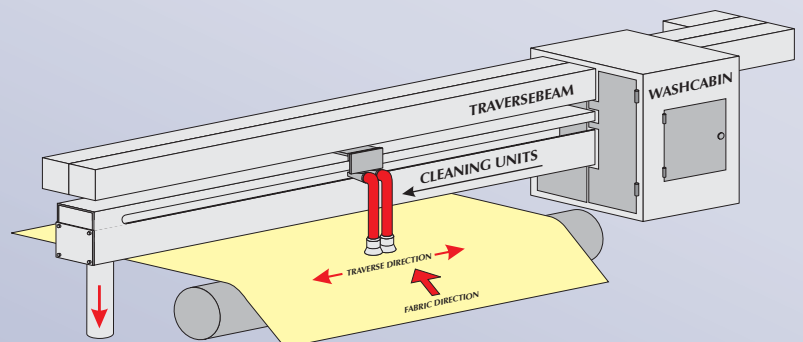
### RAW MATERIAL:

- 100% virgin pulp



### RAW MATERIAL:

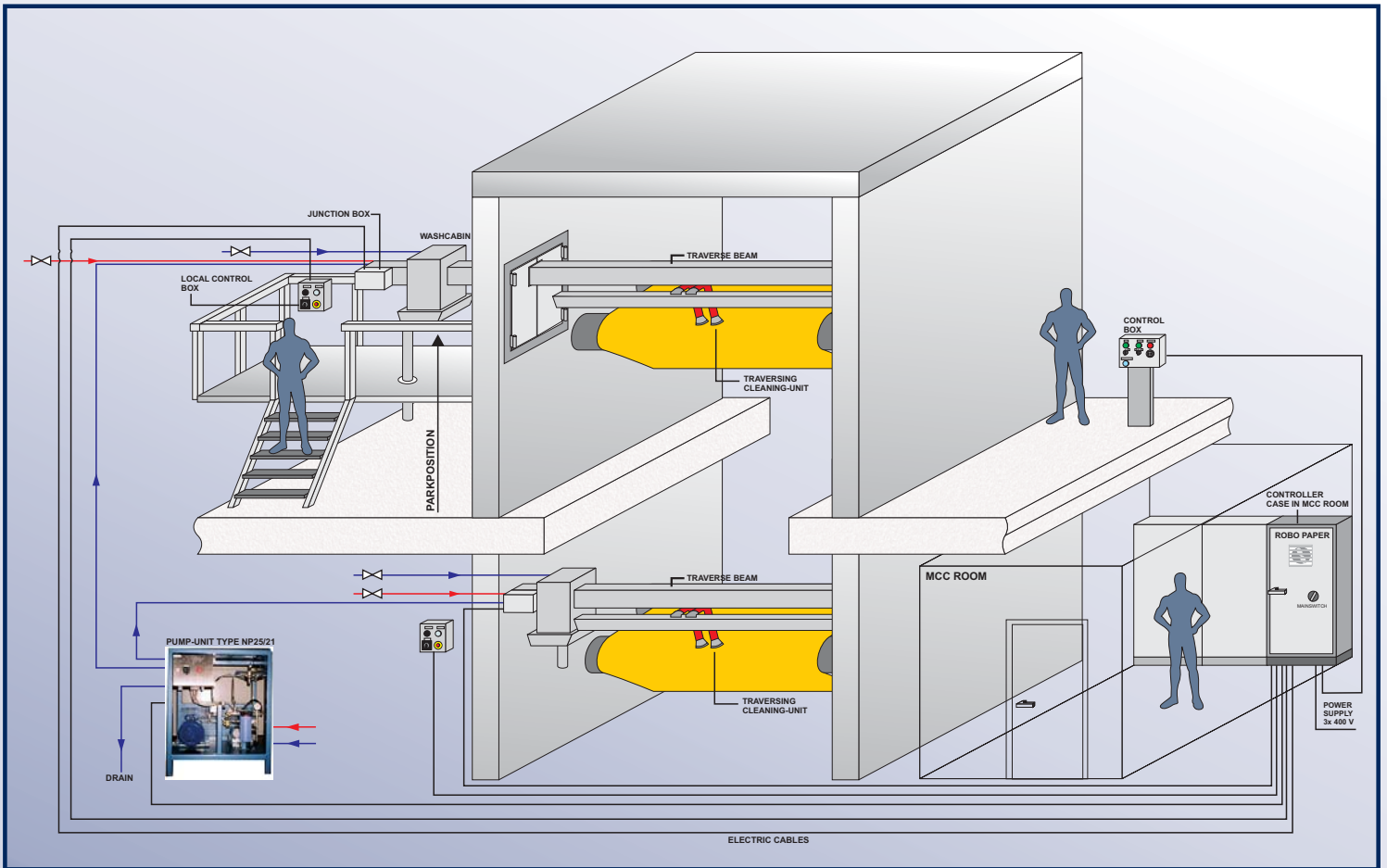
- 50% DIP + 50% virgin pulp
- other mixed pulp
- 100% unselected waste



## ENERGY DATA FOR 1 (ONE) CLEANING UNIT

|                   |   |  |
|-------------------|---|--|
| Water consumption | : | during production  |
|                   | : | 2 (two) pcs. nozzles, Ø0,2 mm, 200 bar: 1 ltr/min          |
| Compressed air    | : | during production per vacuum pipe: 0,9 m <sup>3</sup> /min |
| Electric energy   | : | for 1 (one) Super Cleaner: 3,5 kW                          |

# SYSTEM LAYOUT



**SUPER CLEANER  
INSTALLED IN  
PAPER MILL**

## ADDITIONAL COMPONENTS IF REQUIRED

**AUTOMATIC SELF-CLEANING  
WATERFILTER**



**WATER SOFTENER**



**HEAT EXCHANGER**

